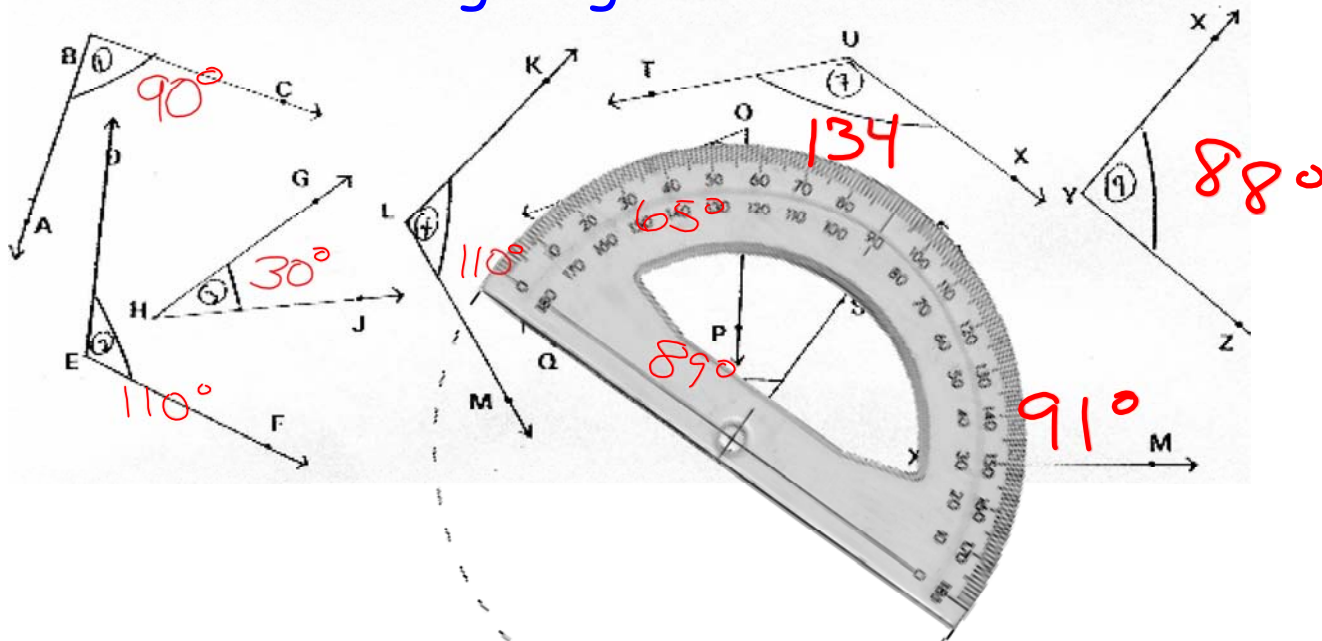


Measuring Angles with Protractor



Assign: Measuring Angles with Protractor WS
Follow-up: Daffynition Decoder WS

Assignment-Measuring Angles with Protractor

Name _____

I Measure the Angle with a protractor. II Classify the angle as acute, right, or obtuse

1 a) I _____ II _____

b) I _____ II _____

c) I _____ II _____

d) I _____ II _____

e) I _____ II _____

f) I _____ II _____

g) I _____ II _____

h) I _____ II _____

2 a) I _____ II _____

b) I _____ II _____

c) I _____ II _____

d) I _____ II _____

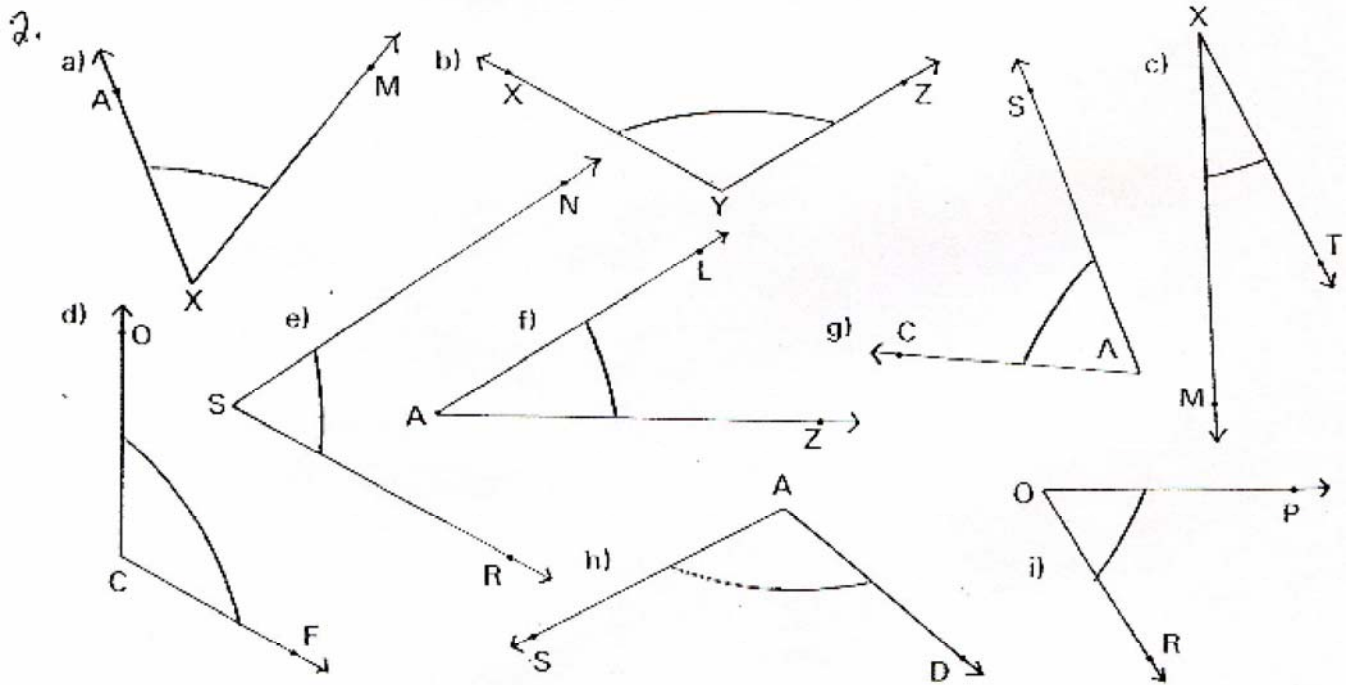
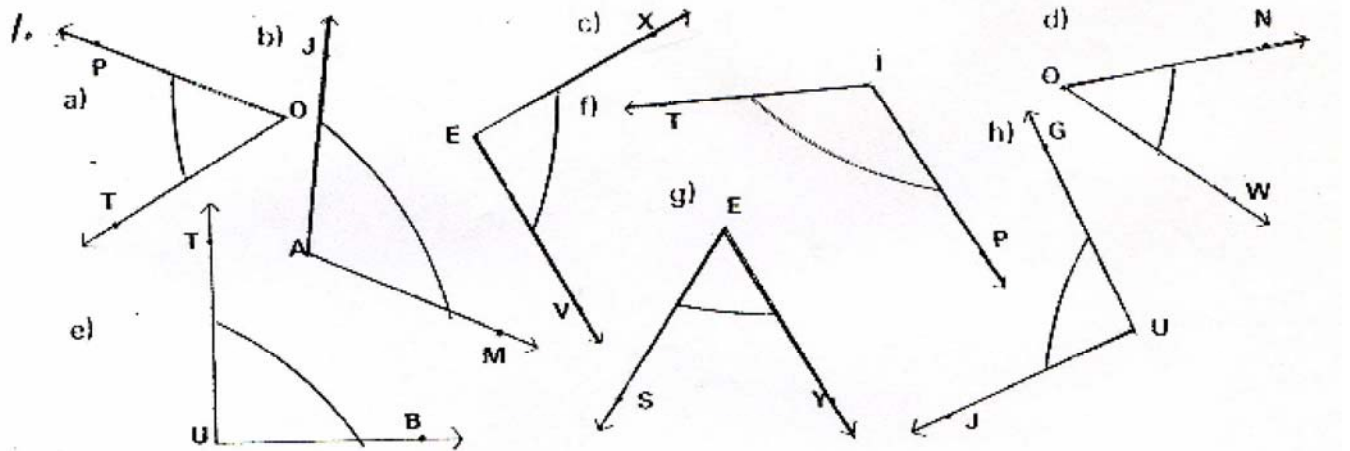
e) I _____ II _____

f) I _____ II _____

g) I _____ II _____

h) I _____ II _____

i) I _____ II _____



DAFFYNITION DECODER

CLIMATE:

139° 45' 56" 153° 131° 73° 148° 96° 73° 153° 73° 56° 81° 73° 148° 90° 153° 56° 19° 90°

DONUT:

81° 56° 90° 139° 45° 73° 19° 122° 10° 27° 56° 34° 131° 56° 110° 73° 146° 153° 81° 73° 90° 157° 131°

TO DECODE THESE TWO DAFFYNITIONS, FOLLOW THESE DIRECTIONS:

Measure any angle below and find your answer in the code. Each time the answer appears in the code, write the vertex letter of that angle above it. (The same code is used for both daffynitions.)

WHEN YOU KNOW ALL THE ANGLES, YOU CAN DECODE THE DAFFYNITIONS!

