

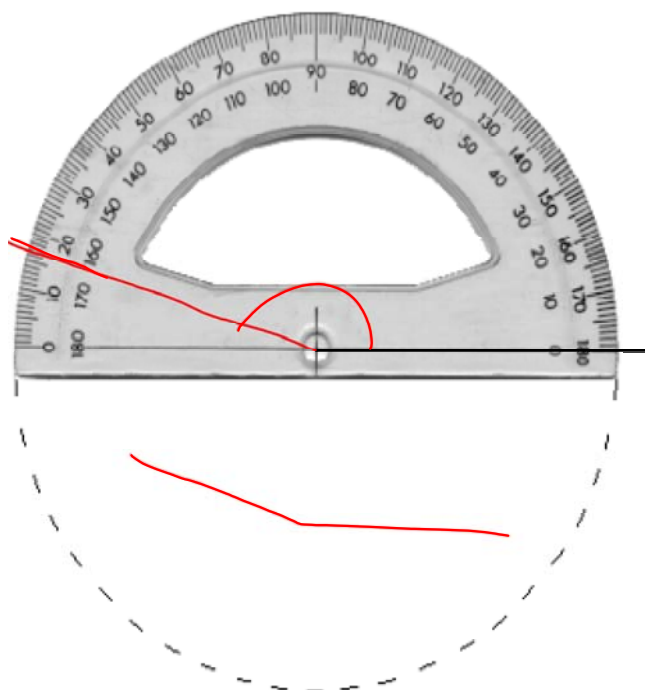
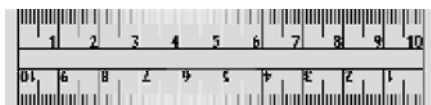
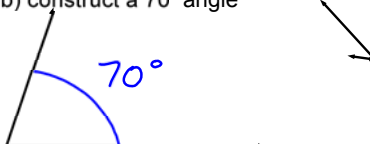
Construct an Angle with Protractor

- need 1 side and vertex
- use protractor to find angle and plot endpoint
- draw 2nd side

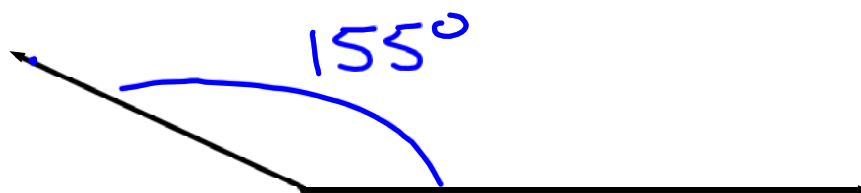
ex 1 a) construct a 30° angle



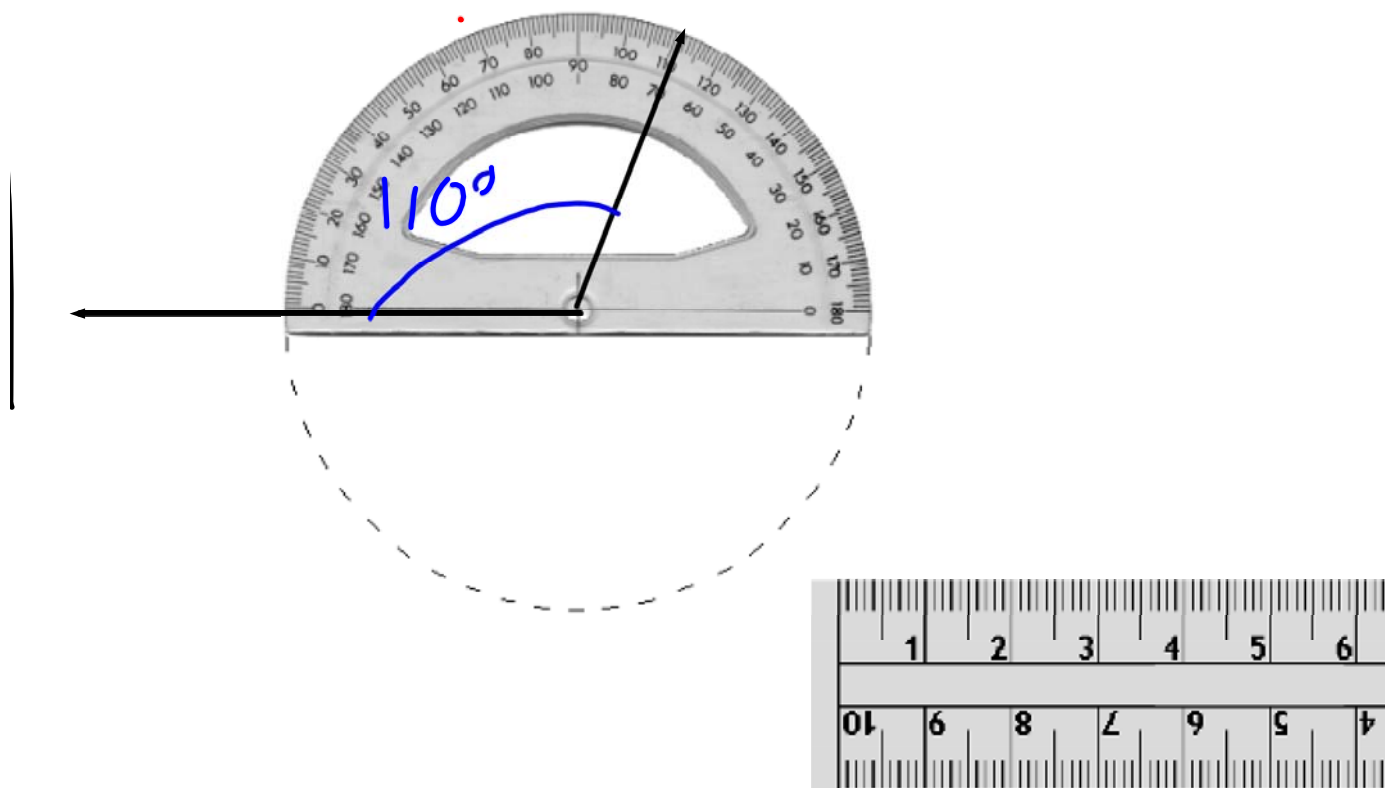
1 b) construct a 70° angle



ex 2 a) construct a 155° angle

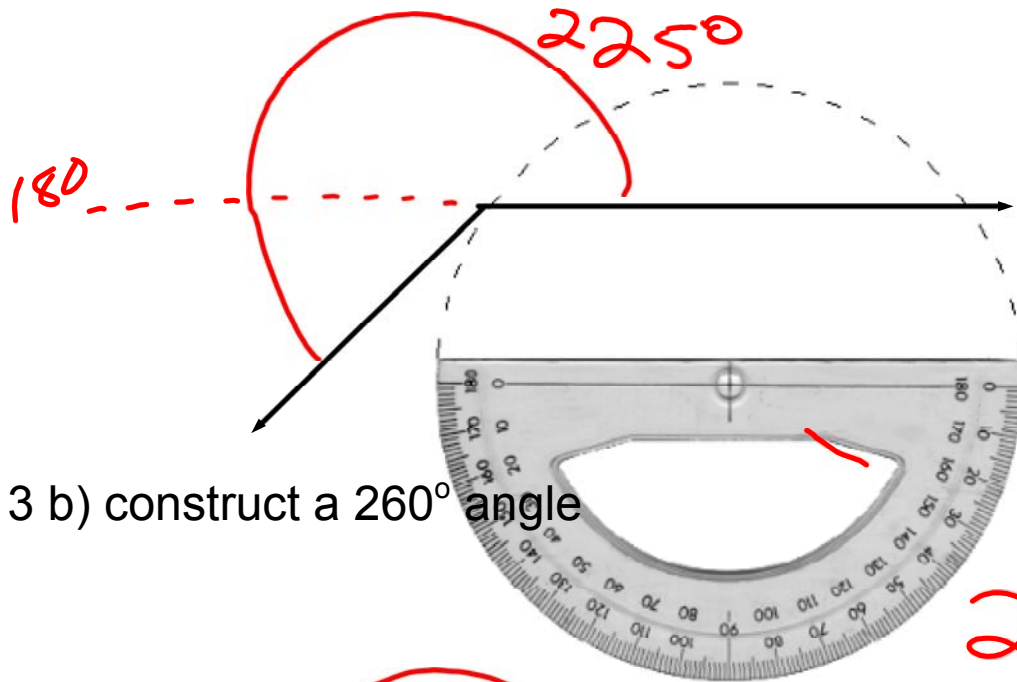


Try 2 b) construct a 110° angle



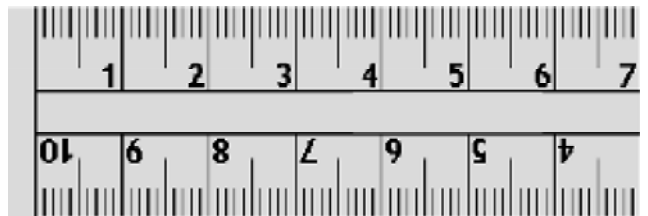
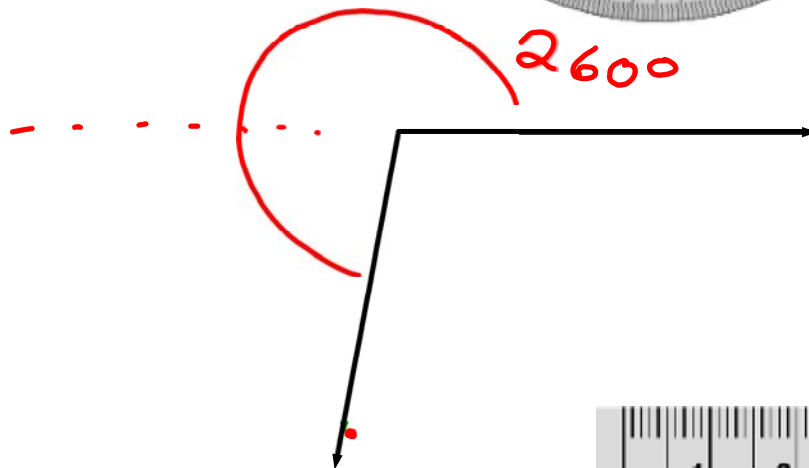
ex 3 a) construct a 225° angle

$$\begin{array}{r} 225^\circ \\ - 180 \\ \hline 45 \end{array}$$

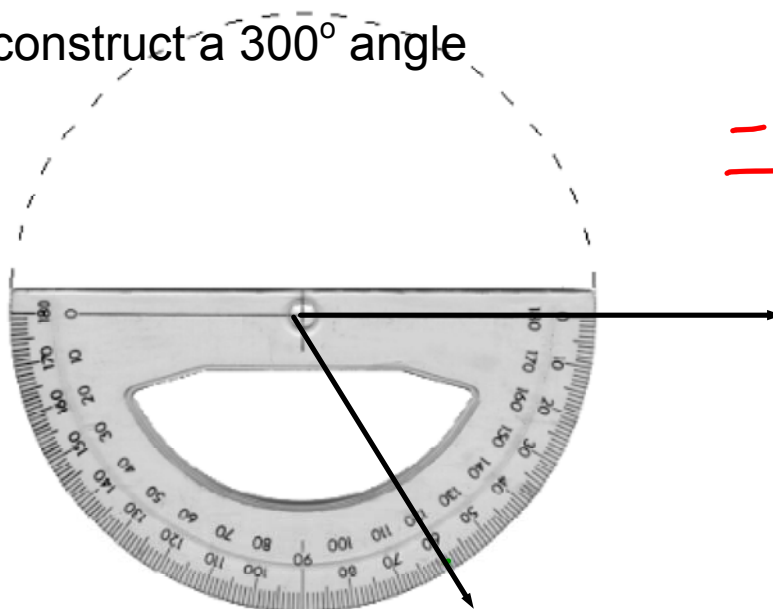


3 b) construct a 260° angle

$$\begin{array}{r} 260 \\ - 180 \\ \hline 80 \end{array}$$



ex 4 construct a 300° angle



$$\begin{array}{r} 300 \\ - 180 \\ \hline 120 \end{array}$$

Assign: WS "What do you call two spiders ...?"

And draw 205, 290 and 355 degree angles on the back of the page